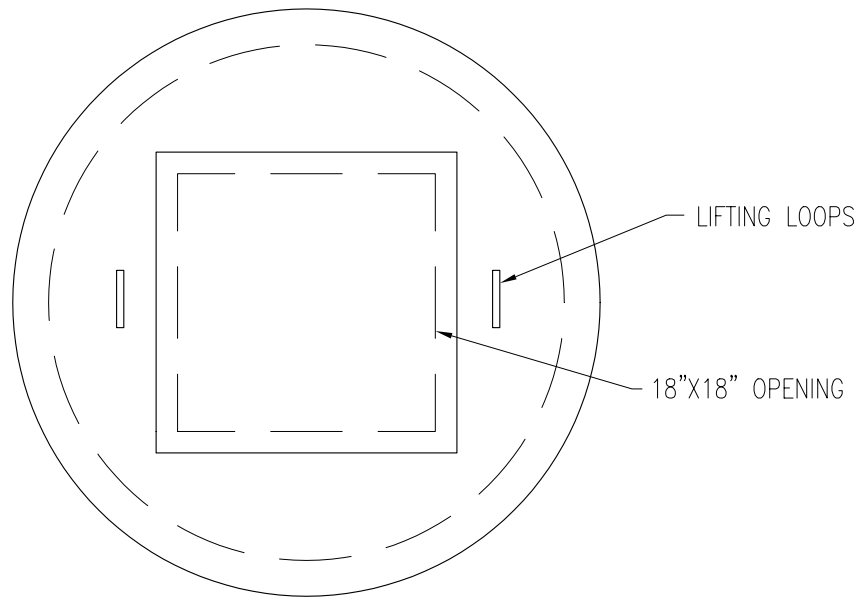
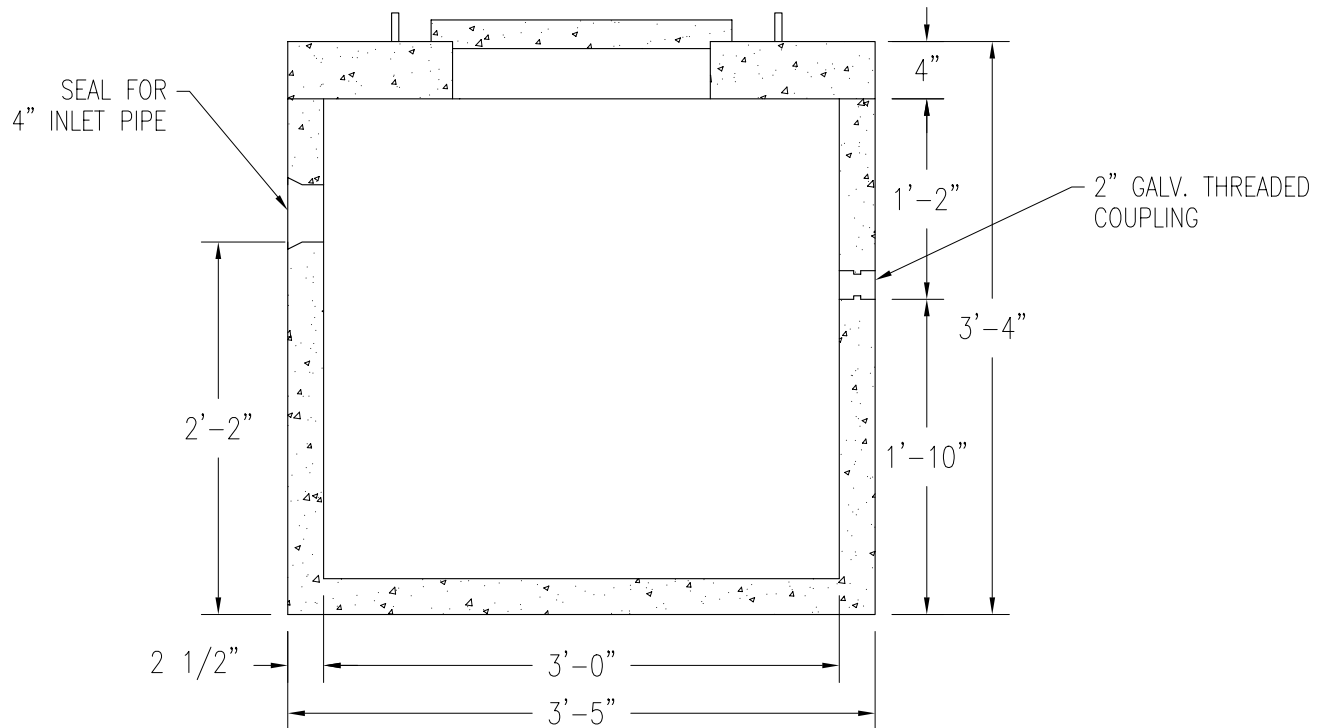


3' DIA PUMP TANKS

ITEM #A-801
WEIGHT - 1,600 LBS



TOP VIEW



SECTION VIEW

DESIGN NOTES:

- 1 - CONCRETE 4000 PSI
AT 28 DAYS.